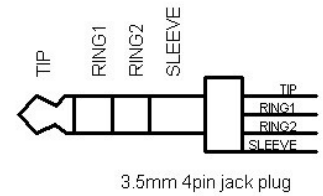
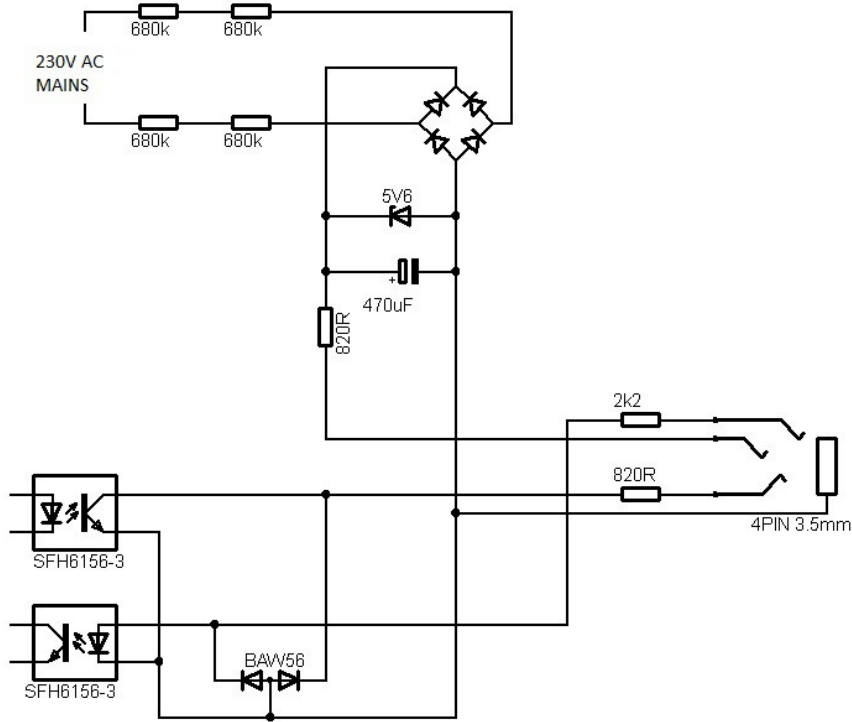


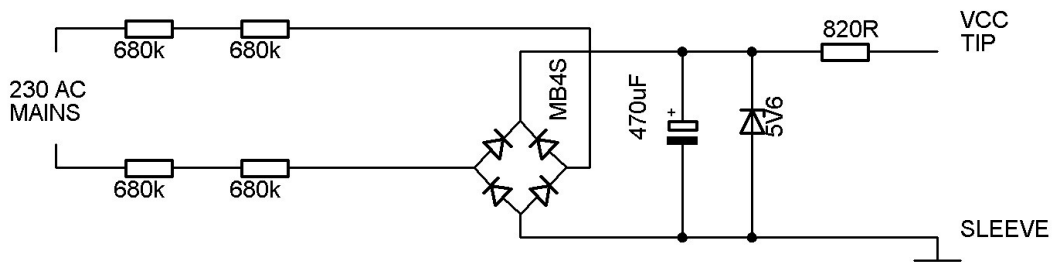
## SGC510-2 Jack Connector



PINOUT	
TIP	VCC
RING1	OUTPUT
RING2	INPUT
SLEEVE	GND

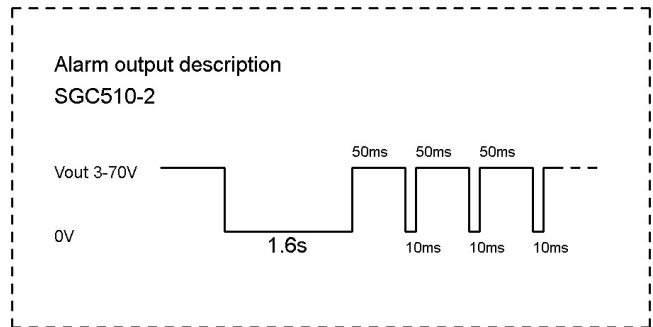
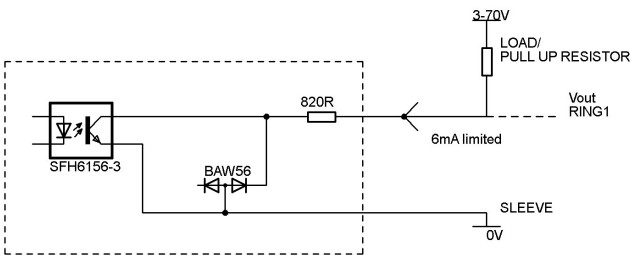
## VCC OUTPUT

ELECTRICAL CHARACTERISTICS (T <sub>amb</sub> =25 °C)					
PARAMETER	TEST CONDITION	MIN.	TYP.	MAX.	UNIT
VCC output					
No load	Mains ac 230V		5.6		V
72uA	Mains ac 230V		5.0		V
75uA	Mains ac 230V		3.3		V
Short circuit current	Mains ac 230V		77		uA

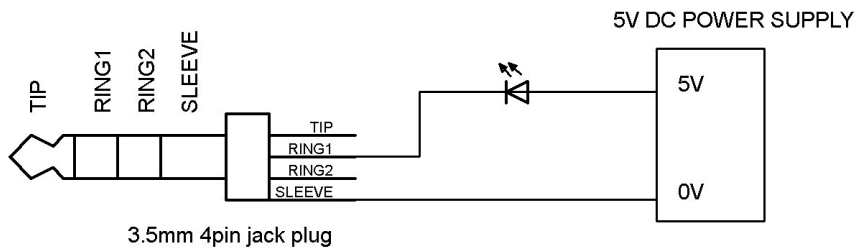


## ALARM OUTPUT

ELECTRICAL CHARACTERISTICS (T <sub>amb</sub> =25 °C)					
PARAMETER	TEST CONDITION	MIN.	TYP.	MAX.	UNIT
<b>OUTPUT</b>					
Input voltage				70.0	V
Current limit			6.0		mA
High state	VCC 5V 10k pull up		5.0		V
Low state	VCC 5V 10k pull up		0.5		V



## ALARM OUTPUT TEST CIRCUIT



## ALARM INPUT

ELECTRICAL CHARACTERISTICS (T <sub>amb</sub> =25 °C)					
PARAMETER	TEST CONDITION	MIN.	TYP.	MAX.	UNIT
<b>INPUT</b>					
Working voltage		3.0		15.0	V

